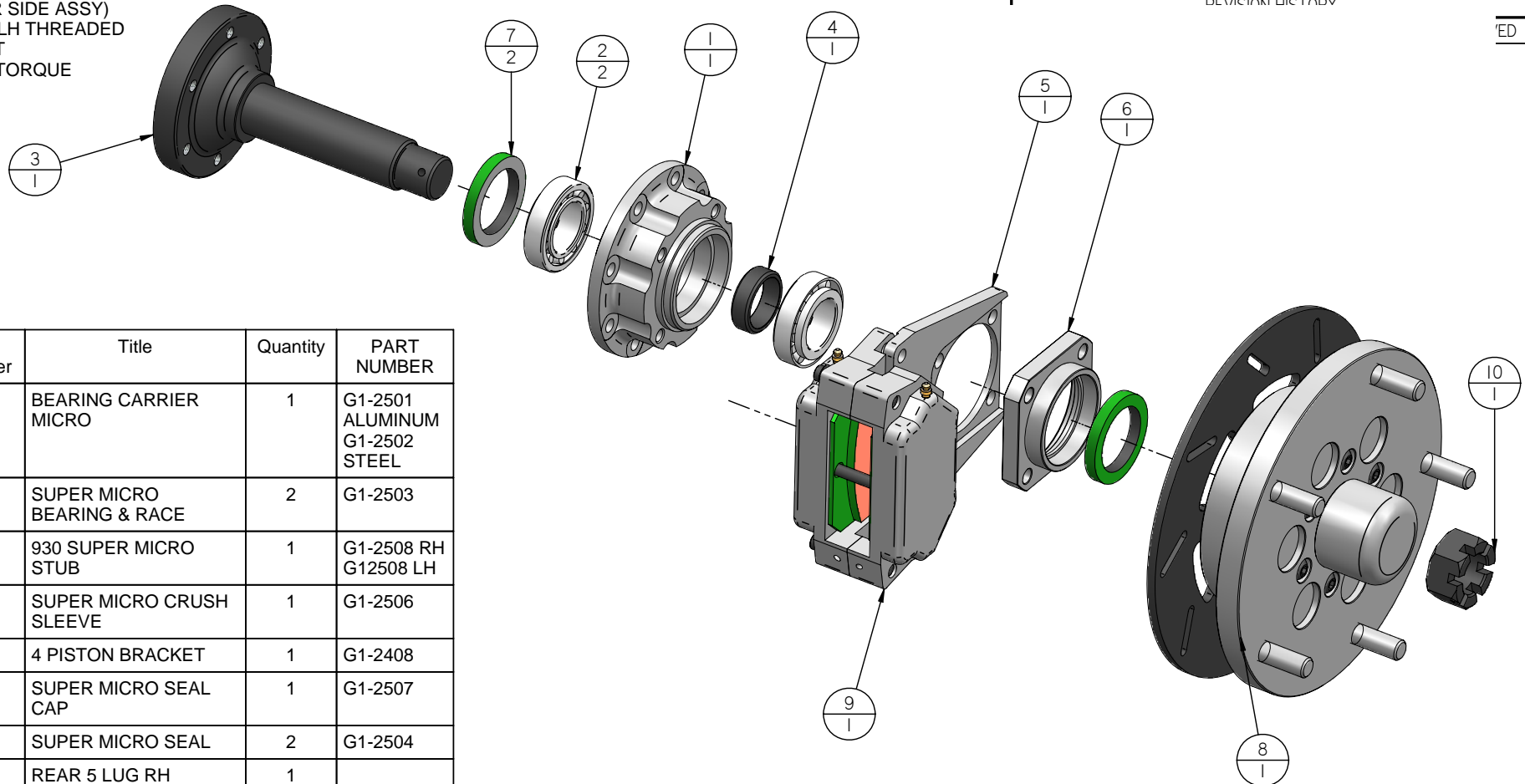


RH (DRIVER SIDE ASSY)  
REQUIRES LH THREADED  
STUB & NUT  
250FT LBS TORQUE

REVISION HISTORY

ED



Item Number	Title	Quantity	PART NUMBER
1	BEARING CARRIER MICRO	1	G1-2501 ALUMINUM G1-2502 STEEL
2	SUPER MICRO BEARING & RACE	2	G1-2503
3	930 SUPER MICRO STUB	1	G1-2508 RH G12508 LH
4	SUPER MICRO CRUSH SLEEVE	1	G1-2506
5	4 PISTON BRACKET	1	G1-2408
6	SUPER MICRO SEAL CAP	1	G1-2507
7	SUPER MICRO SEAL	2	G1-2504
8	REAR 5 LUG RH ASSEMBLY	1	
9	RH STD 4 PISTON CALIPER	1	G1-2400-C RH G1-2400-C LH
10	SUPER MICRO NUT	1	G1-2509R (RIGHT HAND) G1-2509L (LEFT HAND)

	NAME	DATE
DRAWN	LKA	02/20/07
CHECKED		
ENG APPR		
MGR APPR		



TITLE SUPER MICRO STUB ASSY		
SIZE B	DWG NO	REV
FILE NAME: SUPER MICRO STUB ASSY WEB.dft		
SCALE:	WEIGHT:	SHEET 1 OF 1

UNLESS OTHERWISE SPECIFIED  
DIMENSIONS ARE IN INCHES  
ANGLES ±5°  
2 PL ±.01 3 PL ±.005